

J1020 Double Balanced Mixer

1.0 to 2.0 GHz

Technical Characteristics



Product Features
Multi-octave bandwidth
Broad frequency - input and output
Wide DC to IF frequency response
Low conversion loss
High port-to-port isolation

Maximum Ratings	
Storage Temperature	-65 to +150°C
Operating Temperature Peak	-54 to +125°C
Peak Input Power For Any Single Port	+26dBm Peak
Peak Input Power For Any Port	+27dBm peak
Peak Input Current @ +25° C	100mA

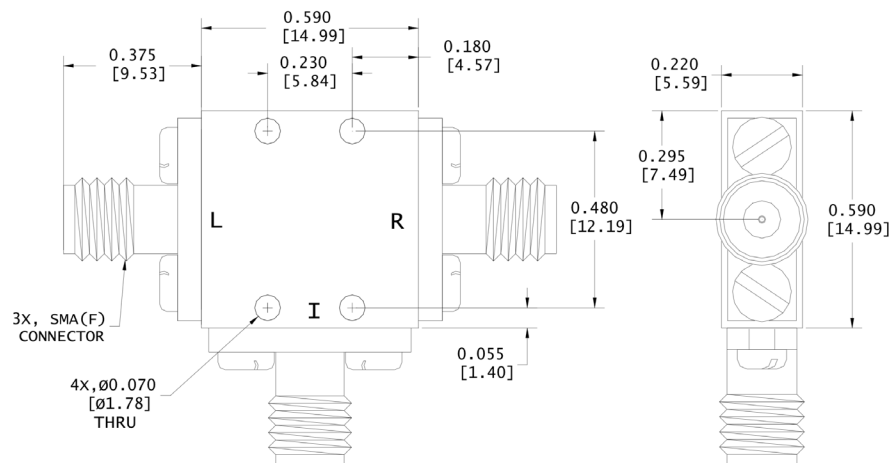
Parameters	Freq. (GHz)	Minimum	Typical	Maximum	Units	Conditions
Conversion Loss						
RF Input	1.0 to 2.0		6.5	8.0	dB	IF = 100 MHz
LO Input	1.0 to 2.0		7.5	9.0	dB	IF = 1000 MHz
IF Output	DC to 1.0					
Conversion Flatness						
Isolation						
LO-RF	1.0 to 2.0	28.0	35.0		dB	
LO-IF	1.0 to 2.0	20.0	28.0		dB	
RF-IF			20.0		dB	
VSWR						
1dB Comp.Point						
J1020L			1.0		dBm	
J1020M			1.0		dBm	
J1020H			1.0		dBm	
J1020N			1.0		dBm	
LO Drive						
J1020L			7.0	10.0	dBm	
J1020M			10.0		dBm	
J1020H			16.0		dBm	
J1020N			13.0		dBm	
Input TOIP						
J1020L			11.0		dBm	
J1020M			11.0		dBm	
J1020H			19.0		dBm	
J1020N			17.0		dBm	

NOTES:

1. Measured in a 50 ohm system with nominal LO drive and downconverter application only, unless otherwise specified. The I-port frequency range extends to DC for phase detection, pulse modulation, or attenuator applications. I-port VSWR degrades from a 50 Ω system at LO-IF frequencies.

2. Typical values are measured at +25°C and are not guaranteed.

Package outline Z



1

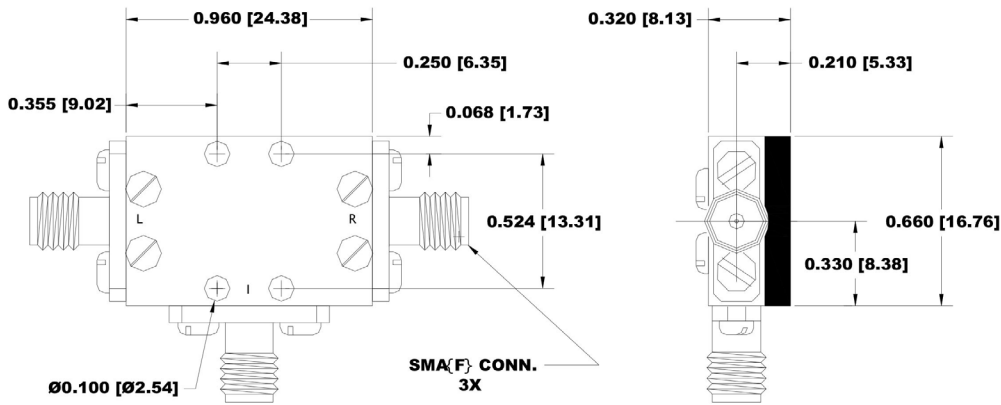
DISCLAIMER: Subject to change without notice.

J1020 Double Balanced Mixer

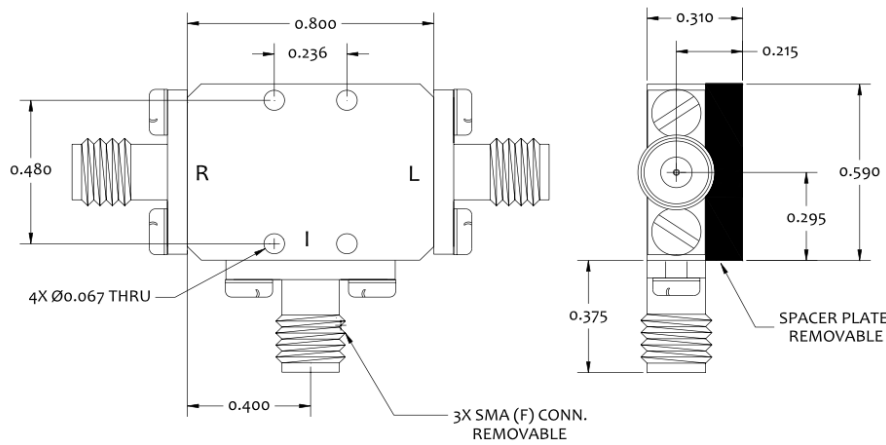
1.0 to 2.0

Outline Drawings 1 of 2

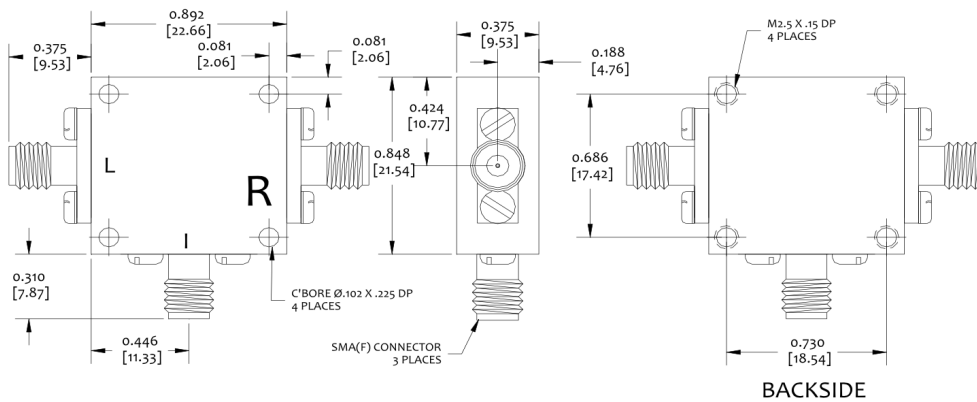
Coaxial Package outline 'B'



Coaxial Package outline 'L'



Coaxial Package outline 'C'

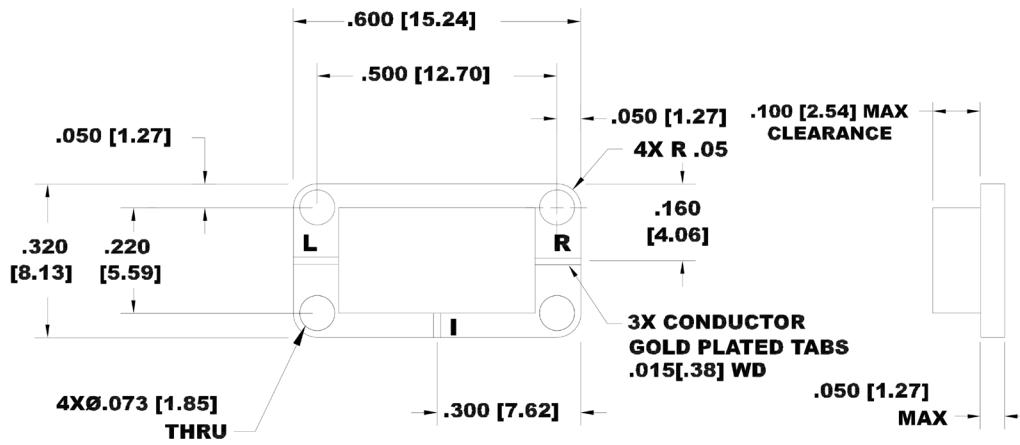


J1020 Double Balanced Mixer

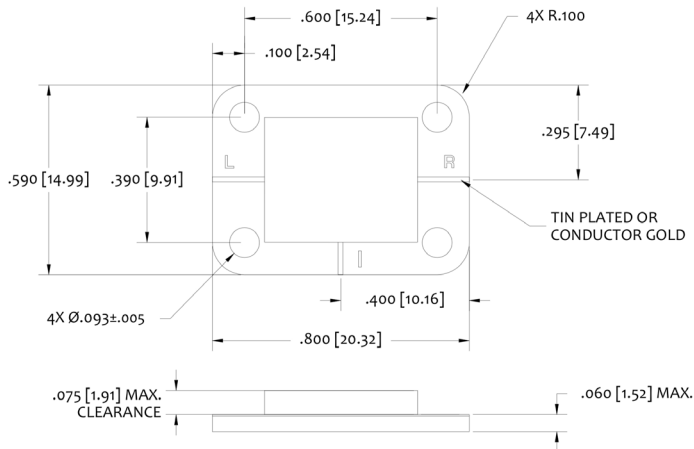
1.0 to 2.0

Outline Drawings 2 of 2

Drop in Package outline 'E1'



Drop in Package outline 'F1'



Drop in Package outline 'ZX'

